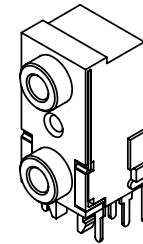
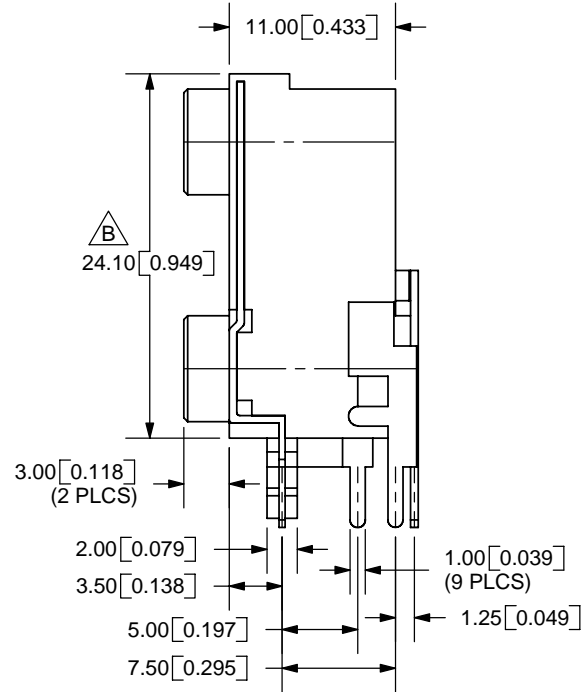
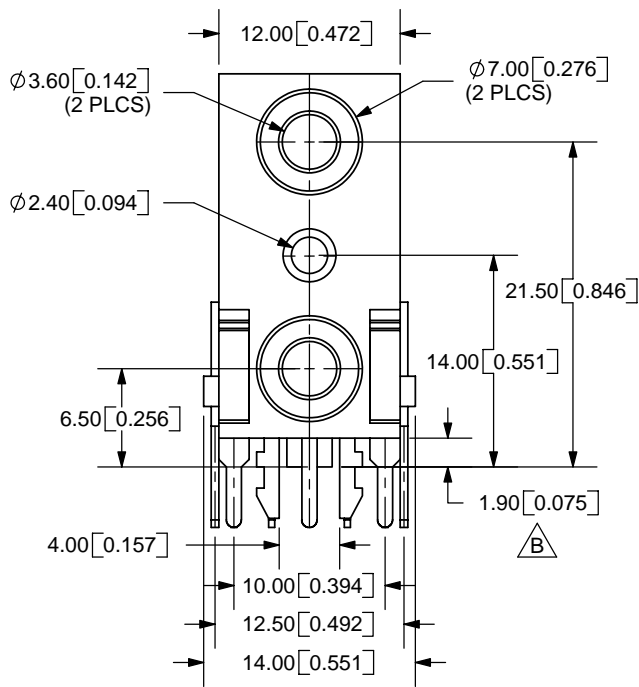
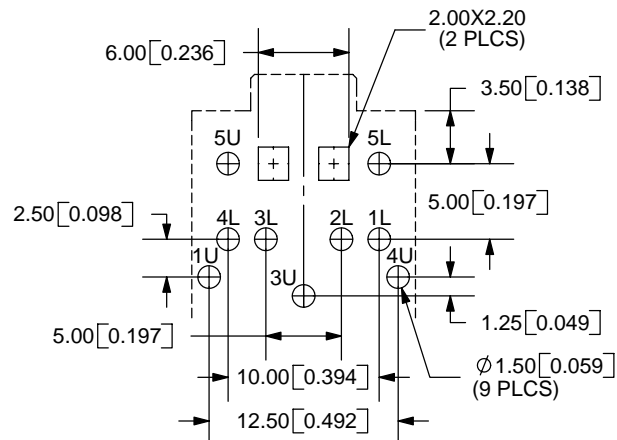
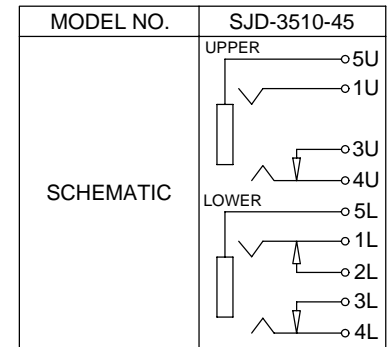


REV.	DESCRIPTION	DATE
A	NEW DRAWING	12/15/2005
B	Added dimensions	4/4/2006



Scale: 1:1



PCB LAYOUT
TOP VIEW

SPECIFICATIONS:

RATING: 16V DC @ 0.3A
 CONTACT RESISTANCE: 50m OHMS MAX
 INSULATION RESISTANCE: 100M OHMS MIN: 500V DC
 VOLTAGE WITHSTAND: 500V AC R.M.S. FOR 1 MINUTE
 LIFE: 5,000 CYCLES

TOLERANCE:
 X.X ±0.2mm
 X.XX ±0.1mm
 X.XXX ±0.05mm



	MATERIAL	PLATING
TERMINAL 1U	Brass	Tin
TERMINAL 3U	Brass	Tin
TERMINAL 4U	Brass	Tin
TERMINAL 5U	PBS	Tin
TERMINAL 1L	PBS	Tin
TERMINAL 2L	Brass	Tin
TERMINAL 3L	Brass	Tin
TERMINAL 4L	PBS	Tin
TERMINAL 5L	PBS	Tin
COVER	PBT	
HOUSING	NY66	



CUI INC

9615 SW Allen Blvd., Ste. 103
 Beaverton, OR 97005
 Phone: 503-643-4899
 800-275-4899
 Fax: 503-372-1266
 Website: www.cui.com

TITLE:	DUAL STACK 3.5mm STEREO JACK PCB MT.	REV:	B
PART NO.	SJD-3510-45	UNITS:	MM [INCHES]
DRAWN BY:	ZRJ	APPROVED BY:	
		SCALE:	2:1

PC FILE NAME:
SJD-3510-45

COPYRIGHT 2005 BY CUI INC.